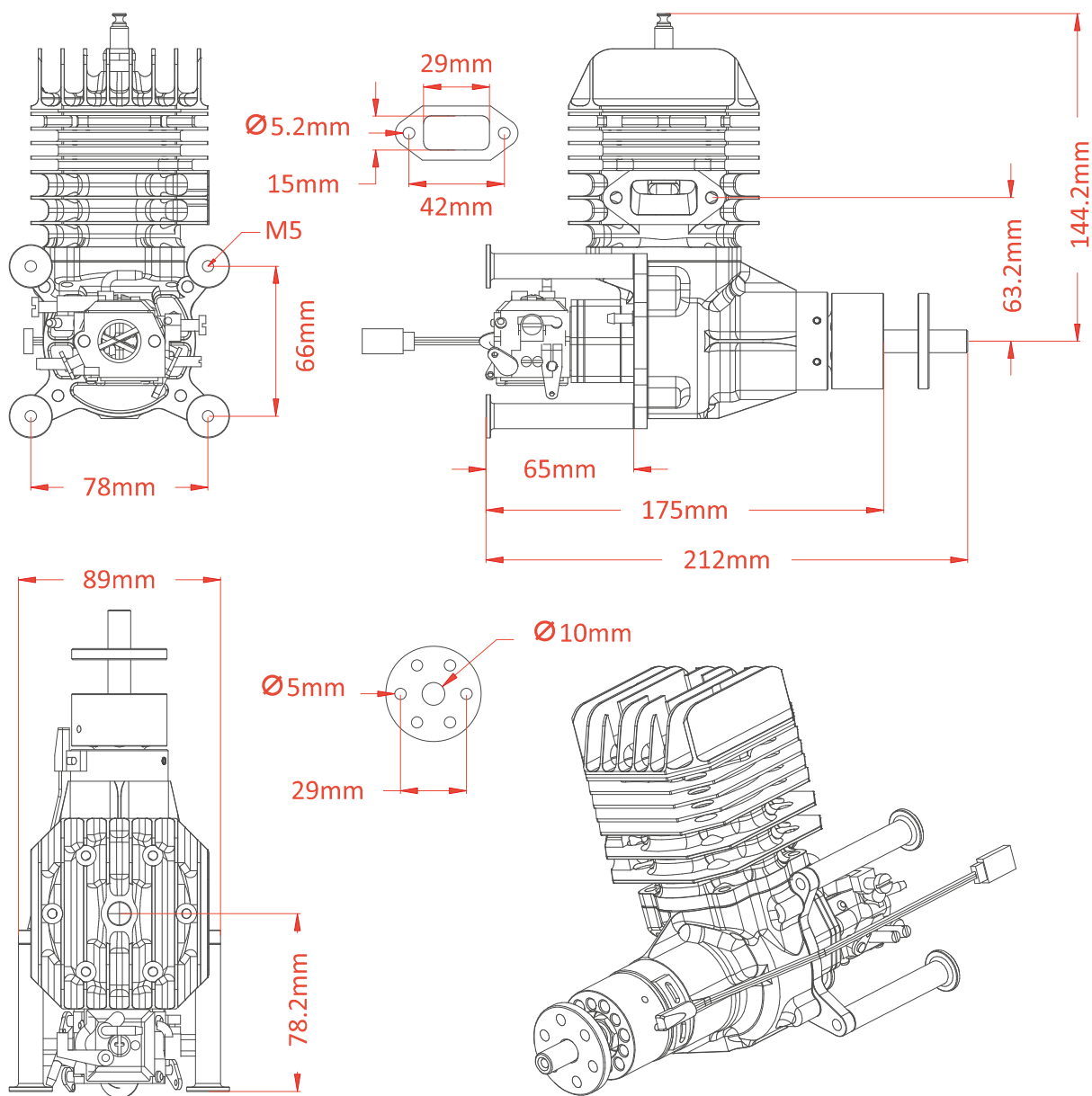




**HORNET ENGINE**

[www.hornetengine.de](http://www.hornetengine.de)

## Hornet 62 cc RC model engine



## Technical data

Displacement	62 c.c.	Gas/Oil mix ratio	40 ~ 45:1
Bore	46mm	Spark plug	NGK CM6
Stroke	38mm	2 blade propeller	Falcon 23x12; 24x9; 24x10; 25x9
RPM range	1400 ~ 8800 RPM	3 blade propeller	Falcon 22x12; 23x8; 23x10
Engine weight	1550g	Ignition voltage	6.0 ~ 12.6 VDC
Ignition weight	160g	Carburetor	Walbro MOD

[www.hornetengine.de](http://www.hornetengine.de)