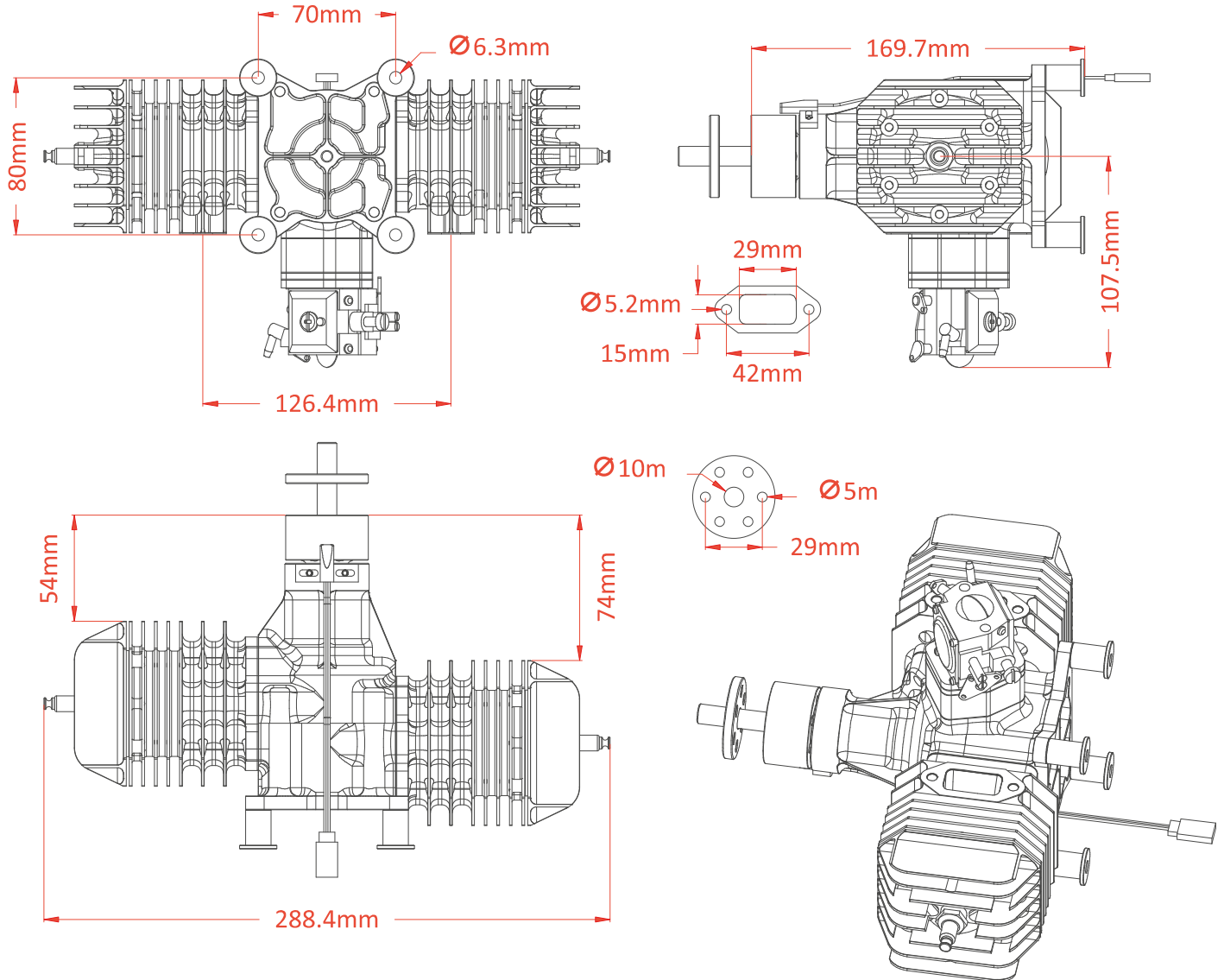




HORNET ENGINE

www.hornetengine.de

Hornet 125 cc RC model engine



Technical data

Displacement	125 c.c.	Gas/Oil mix ratio	40 ~ 45:1
Bore	46mm	Spark plug	NGK CM6
Stroke	38mm	2 blade propeller	Falcon C2D 28x11; 28x12; 29x11;
RPM range	1400 ~ 8500 RPM	3 blade propeller	Falcon C3D 26x12; 27x10; 27x12
Engine weight	2610g	Ignition voltage	6.0 ~ 12.6 VDC
Ignition weight	160g	Carburetor	Walbro MOD

www.hornetengine.de